

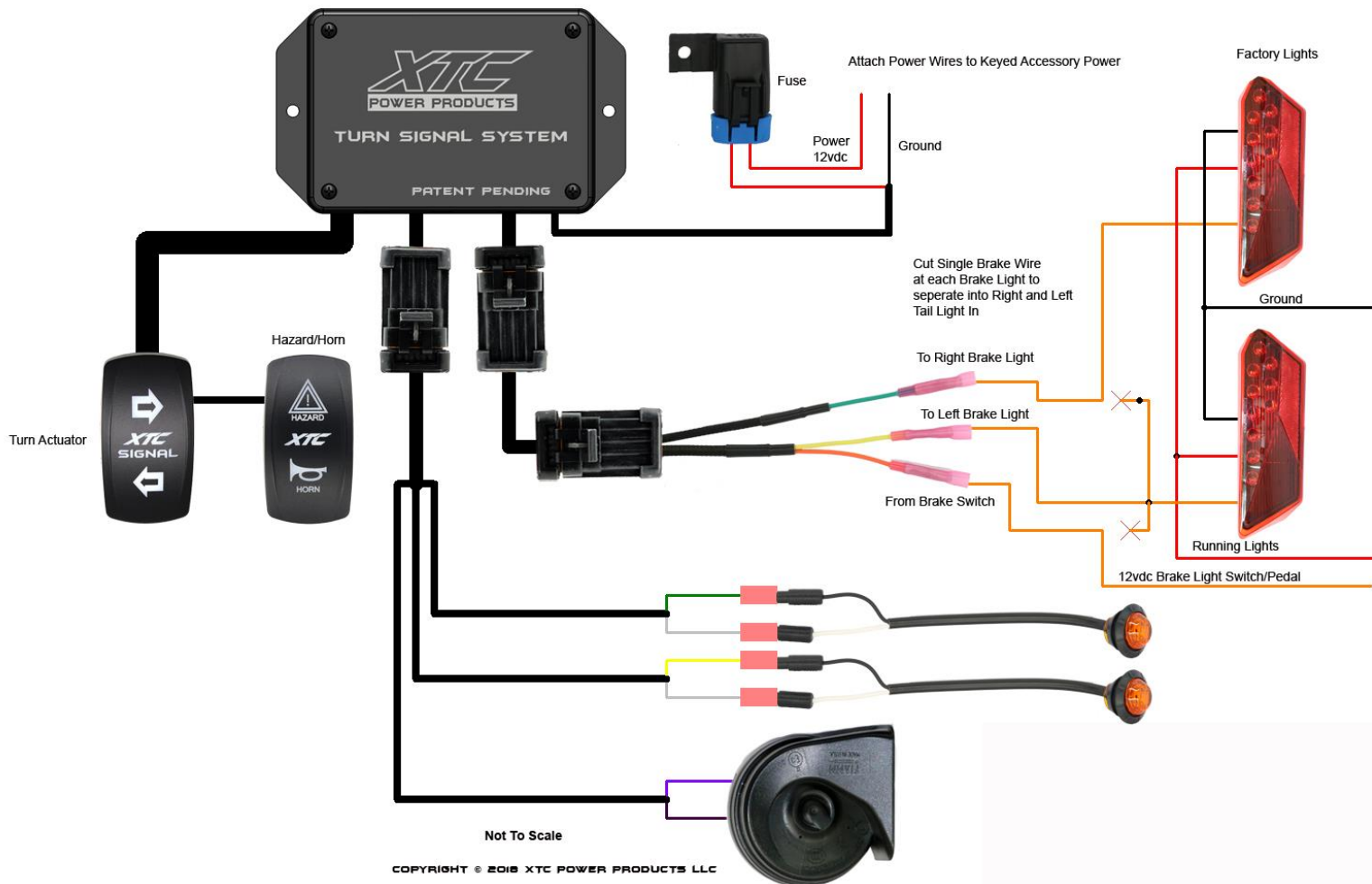


TSS-UNI-I UNIVERSAL TURN SIGNAL SYSTEM

Thank you for purchasing XTC Power Products Turn Signal System. This system is part of our Plug & Play™ product line and is a Universal fit to any vehicle with positive (12vdc) brake switch.

TSS-UNI-I System Diagram

Works on any Vehicle with Positive 12VDC Brake Light System



**For more details on installation along with model installation go to www.xtcinstall.com
Please read the instructions fully and familiarize yourself with the components before starting the install.**

1. **Locate the Rear Brake Light Wires** - Turn the key to the vehicle on and make sure the running lights are on. Go to the rear tail lights where there should be three wires coming out of each light, a ground, a power wire for the running light and brake light wire. Using a Test Light poke into each wire and locate the running light, note its color. Next have someone push on the brake and probe the other two wires to determine which one is the brake light wire, have your assistant push the brake multiple times to make sure you have located the correct wire, note the color and mark.
2. **Install Rear Light Harness** - Cut both the right and left brake wires leaving enough room to crimp butt connectors onto them. Strip the cut wires exposing 1/4". Take the short harness with the two cables coming out of it with pre-installed butt connectors and crimp the **Yellow** wire on to the brake wire going **into the left light**, crimp the **Orange** wire onto the brake wire going from the left light **back into the car harness**. Run the **Green** wire to the right tail light, crimp onto the right brake light wire **going into the light**. Crimp a provided cap on the right-side harness wire that was not used that goes into the cars harness. Using a heat gun carefully heat all butt connectors to seal.
3. **Mount the Control Unit** under the dash or other suitable place using the supplied screws.

WARNING! Verify that there is clearance before drilling the holes for the LED's and keep the harness away from any hot or moving parts.

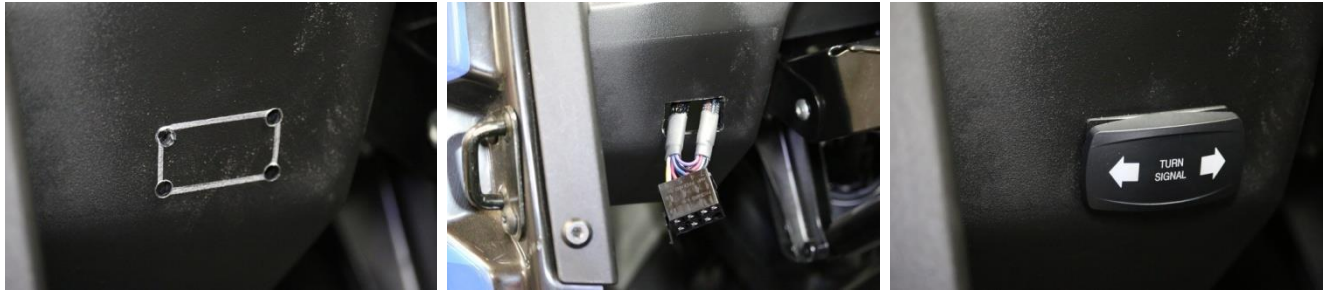
4. **Install the two front LED lights** - Drill $\frac{3}{4}$ " holes in the front corners, remove the rubber grommets from the LED's and insert into the holes, insert the LED's into the grommets with the mark TOP on top.



5. **Run the short front harness** from the front LED lights to the control box and plug into mating connector. The Green wire harness goes to the right/passenger side and the yellow wire harness goes to the left/driver's side. Both green and yellow wires are positive and go to the black wire on each side, the white wire goes to white. Secure the harness with the provided cable ties. **NOTE: Black wire is positive, and the White is ground, they will not work if reversed.**
6. **Run the Rear Harness** - Attach the long harness to the previously installed rear light harness. Run the rest of the harness with a male four pin connector up to the control box and plug into the mating connector, make sure to keep the harness away from any hot or moving parts, secure with provided cable ties.

WARNING! Verify that there is clearance behind dash for Turn, Hazard and Horn switch's

7. **Install the Turn and Horn/Hazard Switches** - Using the provided switch housing template, mark the rectangle for the turn switch and drill a hole in each corner, cut out the rectangle. Do the same for the vertical Horn/Hazard Switch. If you are unable to use keyed power for the TSS System, then the Horn Switch light will need to be disconnected. See Power Options Below! *. Install the switch mount into the cutout, run the switch connectors through the cutout and grease (see below) the switch terminals on both sides and attach and insert into cutout.



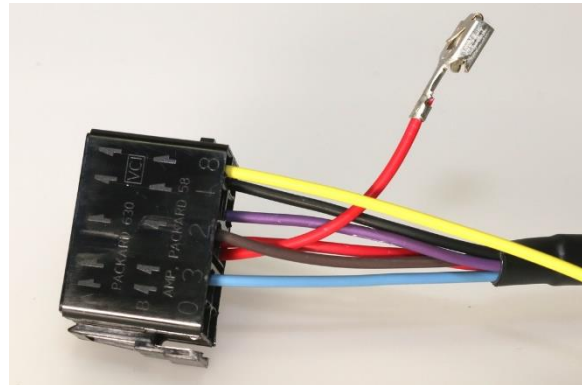
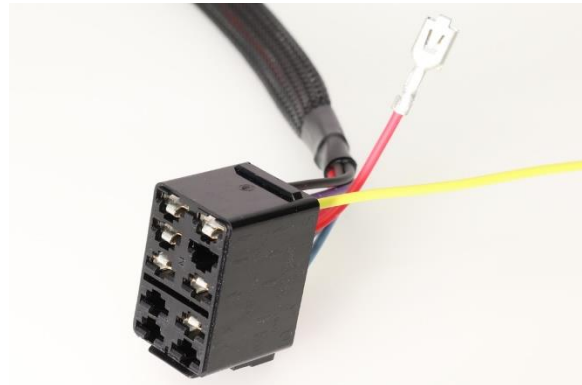
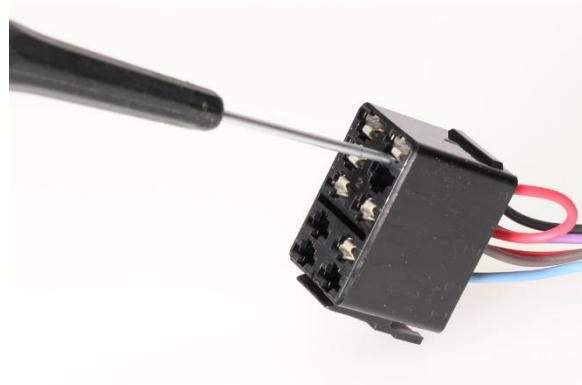
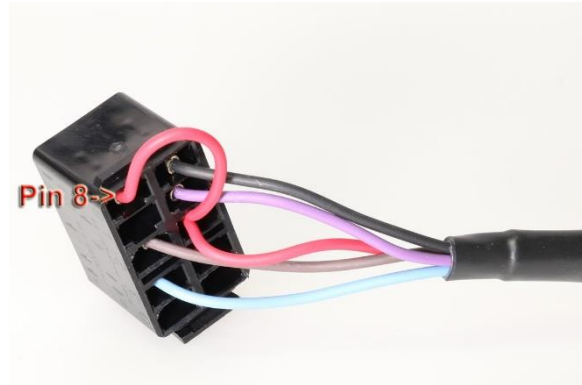
- Dielectric Grease** - LED flashers by design take very little current to activate. When water gets on the dash and lands on the top of the switch, it can trickle to the connector causing it to activate the flasher by using the switches LED indicator, the system will continue to operate and does not hurt the system but will continue clicking until the switch terminals dry. Just like the OEM we recommend using Dielectric Grease on all switch terminals, this keeps the water out and will stop the clicking, it also reduces corrosion and increases reliability! Open the grease and put on the switch terminals and the connector terminals, the more the better, also put some on the Horn/Hazard switch terminals. It should also be used on any extra switches that you may have installed.



- Run the power wire.** Attach the red wire to switched/Keyed 12vdc and the black wire to ground. If there are no factory posts, use the included T-Taps. Find 12vdc like the accessory power out or other switched/keyed power and crimp the taps into the positive and negative wires. Cut off the ring terminals, strip and crimp red male slip connectors on. Insert the red wire with new connector into the previously installed taps, make sure the red goes to positive and the black goes to the negative.

If unable to locate switched power, then connect directly to battery, fused red wire to positive and black to negative and do the following.

* **Full Time Power:** If running the TSS on full-time power the horn switch light will need to be disconnected. The Red wire going into pin 8 of the switch connector needs to be removed. Using a very small screw driver on terminal 8 slide into the bottom rectangle, push down while pushing in until the red wire terminal comes out. We have included an Optional 12" yellow wire with a switch terminal that can be wired to the headlight or dash lights that is not on full time. Connect the Yellow wire to the source and insert into the rear of the 8-pin housing into socket 8, make sure it is fully inserted. Cover exposed terminal with tape/shrink or cut off, it is power and can cause a short



10. Verify operation of all lights and secure the harnesses with the provided cable ties.

Optional - The Tan wire next to the Turn Switch is for an optional Dash Indicator. When the TSS is activated it will flash 12 VDC that can be attached to an Optional Dash Mounted LED Light. More Information can be found at www.xtcinstall.com

For more details on installation go to www.xtcinstall.com

We can also be reached by email at support@xtcpowerproducts.com

XTC Power Products
A Division of XTC Motorsports LLC
925 N McQueen RD. #101
Gilbert AZ 85233
480-558-8588

www.xtcpowerproducts.com

*Disclaimer: This kit is intended for off road use only and XTC Motorsports claims no responsibility for its use. It is up to the purchaser to make sure it complies with all Federal, State and Local laws.

R5

Copyright © 2018 XTC MOTORSPORTS LLC, all rights reserved.